


**Features:**

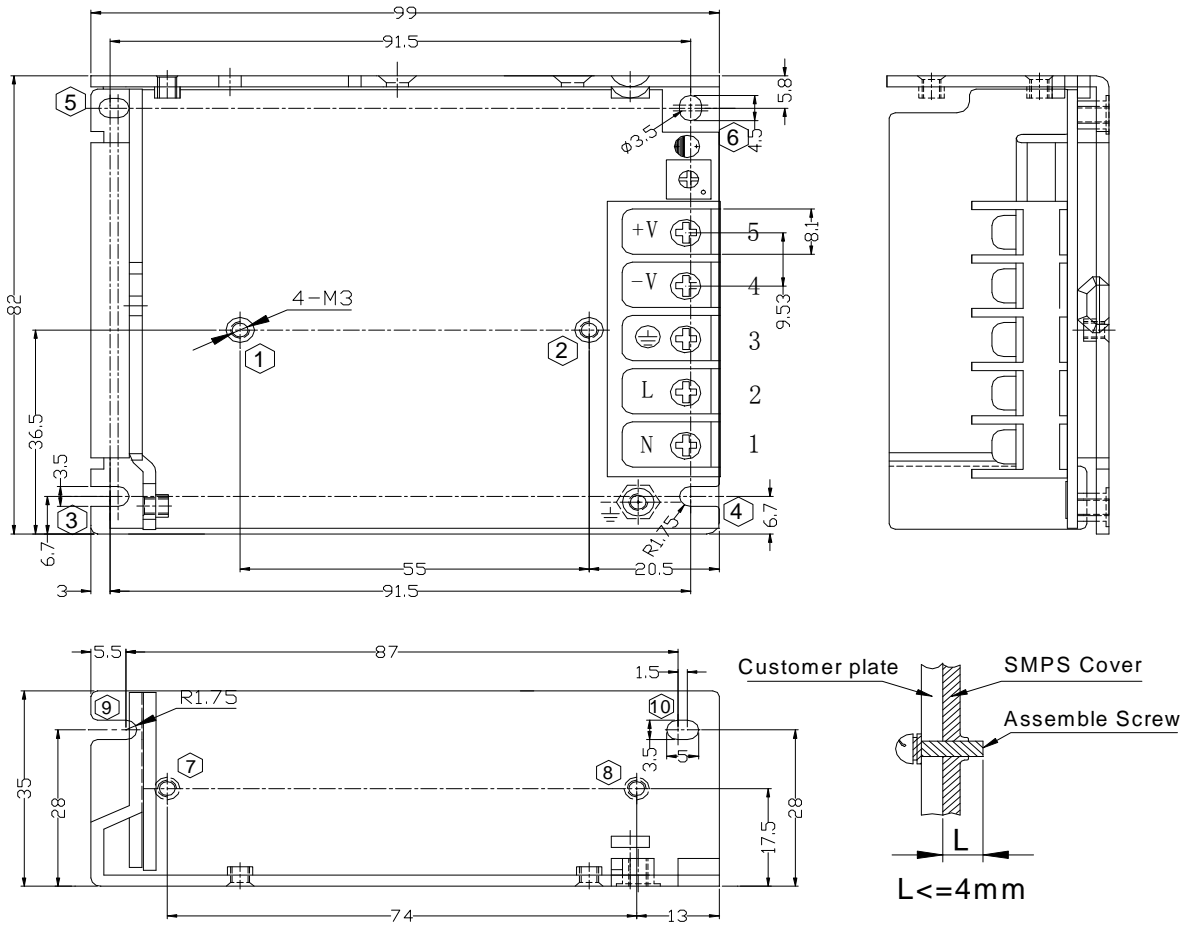
- No Load power consumption<0.5W
- Universal AC input range
- Miniature size,high power density,high efficiency,long life and high reliability
- Withstand 300VA surge input for 5 sec.
- Output protections: OLP/OVP/SCP
- Wide operating ambient temp (-25°C~70°C), 100% @50°C、70%@70°C
- All using 105°C long life electrolytic capacitors.
- 100% full load burn-in test
- Easy assembling from top side
- PCB soldering side with conformal coating
- Suitable for critical applications
- 3 years warranty

**SPECIFICATION**

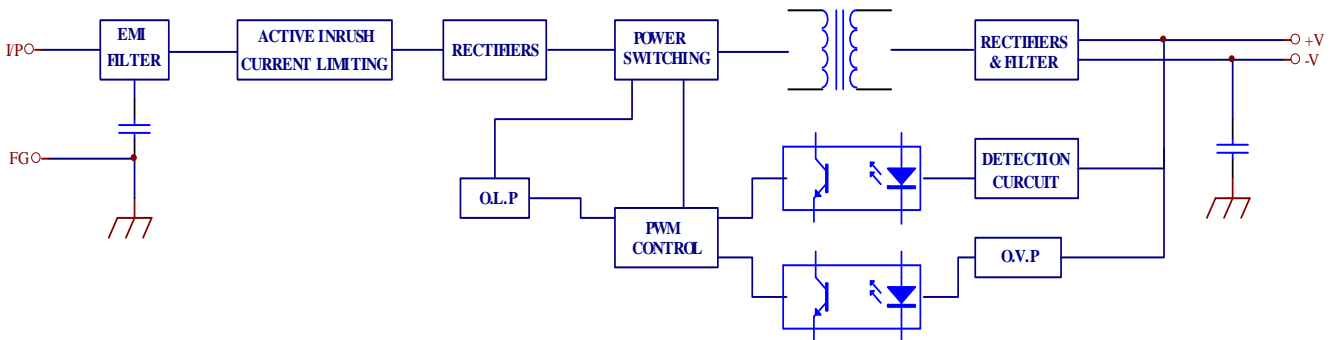
MODEL		PD-50-5-D	PD-50-12-D	PD-50-24-DII
OUTPUT	DC Output	5V	12V	24V
	Rated Current	8A	4.2A	2.2A
	Current Range	0~8A	0~4.2A	0~2.2A
	Ripple and Noise (-25°C~70°C) Note 2	<80mV	<120mV	<200mV
	Voltage ADJ. Range	4.75~5.5V	11.4~13.2V	22.8V~26.4V
	Voltage Accuracy	±3.0%	±3.0%	±3.0%
	Line Regulation	±0.5%	±0.5%	±0.5%
	Load Regulation	±1.0%	±1.0%	±1.0%
	Set-up Time	<1.5S (230Vac input, Full load)		
	Hold up Time	>50mS(230Vac input, Full load)		
	Temperature Coefficient	±0.03%/°C		
	Overshoot and Undershoot	<5.0%		
INPUT	Voltage Range	90Vac~264Vac, 127~370Vdc		
	Frequency Range	47Hz~63Hz		
	Efficiency ( Typical)	80%	84.5%	87%
	AC Current (max.)	<1.3A		
	Inrush Current (Typical)	<40A@230Vac Cold start		
	Leakage Current	Input—output:<0.25mA Input—PG:<3.5mA		
PROTECTION	Over Load	105%-150% of rated output current, constant power		
	Over power	105%-150% of rated output current, constant power		
	Over Voltage	115%-150% of rated output voltage, Constant Voltage		
	Short Circuit	Long-term mode, auto recovery		
ENVIRONMENT	Operating amb. Temp. & Hum.	-25°C~70°C; 20%-90%RH No condensing (refer to the derating curve)		
	Storage Temp. & Hum.	-40°C~85°C; 10%-95%RH No condensing		
SAFETY & EMC Note 3	Safety Standards	UL62368-1; IEC62368-1; EN62368-1		
	Withstand Voltage	Primary-Secondary:3.0KVac/10mA .Primary-PG:1.5KVac/10mA. Secondary-PG:0.5KVDC/10mA.		
	Isolation Resistance	≥100M ohms		
	EMC Emission	Compliance to EN55032 Class B		
	EMC Immunity	Compliance to EN61000-4-2,3,4,5,6,8,11;		
OTHERS	MTBF (MIL-HDBK-217F)	More than 200,000Hrs (25°C, Full load)		
	Dimension (L*W*H)	99×82×35mm		
	Packing	40PCS/CTN, 12.8KGS, 0.043CBM		
	Cooling method	Cooling by free air convection		
NOTE	1. All parameters NOT specially mentioned are measured at rated input, rated load and 25°C of ambient temperature. 2. Measured at 20MHz of bandwidth by using a 12" twisted pair-wire terminated with a 0.1 uF & 10uF parallel capacitor. 3. The power supply is considered as a component which will be installed into a final equipment. The final equipment must be re-confirmed that it still meets EMC directives. For guidance on how to perform these EMC tests, please refer to "EMI testing of component power supplies" on <a href="http://www.powerld.com.cn">http://www.powerld.com.cn</a> .			

**Mechanical Specification**

Unit: mm

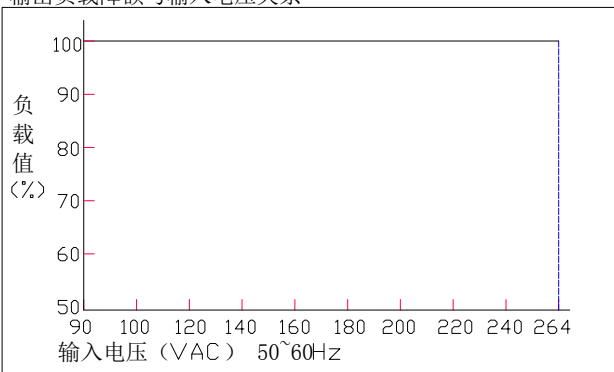


**Block Diagram**



**Derating Curve**

输出负载降额与输入电压关系



输出负载降额与环境温度关系

